

Bubbler Classic Pro 2x9 lt, R290



**Ref: CC000E
(SR2E22290NEMA)**

Cold beverage dispenser - Classic Pro Bubbler 2x9 lt, with new easy-off release bowl and high efficiency cooling system

General Features

CLASSIC PRO 2x9 is a cold drink premix dispenser, compact size, with 2x9 liters capacity tanks.

The machine cools and dispenses ready-made drinks to be poured inside the bowl such as fresh juices, teas, cocktails, flavored water etc..

The unique evaporator and the high efficiency system cool faster and more efficiently for a quick start-up.

The superior engineering ensures a perfect temperature from the first to the last drop of dispensed product.

Two-piece dripless pouring valves are easy to use and clean. Suitable for cups up to 9 inch height (22,9 cm).

New easy-off release bowl system, that makes dismantle easier and reduces cleaning time.

Drinks stirring by a magnetic submerged impeller. Agitators are provided with each unit.

Panels are in stainless steel.

OPTIONALS AVAILABLE:

- VALVE CAP: improves sealing of valve when using pulpy product
- FOUNTAIN SPRAY KIT: ideal to create a spectacular effect
- EXCLUSIVE AUTOFILL LID: retrofittable postmix autofill system that increase consistency and exclude manual filling operations.

Bubbler Classic Pro 2x9 lt, R290

Specifications

- Agitation function for fresh juices, coffees, or teas with minimal foaming system.
- Easy-off bowl release system for faster and easier assembly and disassembly.
- User friendly design enables machine to dispense product till the very last drop.
- Appealing cold drink dispenser equipped with 2 bowls, 9 litres each
- Suitable for cups up to 8 inch height (20 cm)

Construction

- Refrigerant type: R290.
- Compact size of 27 cm wide saves valuable counter space.
- Temperature range from 1.7 - 5° C.
- Pre-mix dispenser with stainless steel base and clear plastic bowls.
- Fewer removable parts to simplify cleaning and reduce maintenance.
- The air intakes from the bottom and exhaust to back.
- Pre-mix dispenser with stainless steel base and clear plastic bowls
- The unique evaporator and the high efficiency pump cool faster and more efficiently for a quick start-up
- Two-piece stainless steel dripless pouring valves are easy to use and clean
- Magnetic submerged impeller

Bubbler Classic Pro 2x9 lt, R290

Electric

Supply voltage: / ph / 50/60 Hz
Electrical power max.:
Current consumption: 1.5 Amps
Plug type:

Key Information:

Number of bowls: 2
Bowl's capacity: 9 lt
Control board: Mechanical
Dimensions, Width:
Dimensions, Depth:
Dimensions, Height:
Net weight:

Refrigeration Data

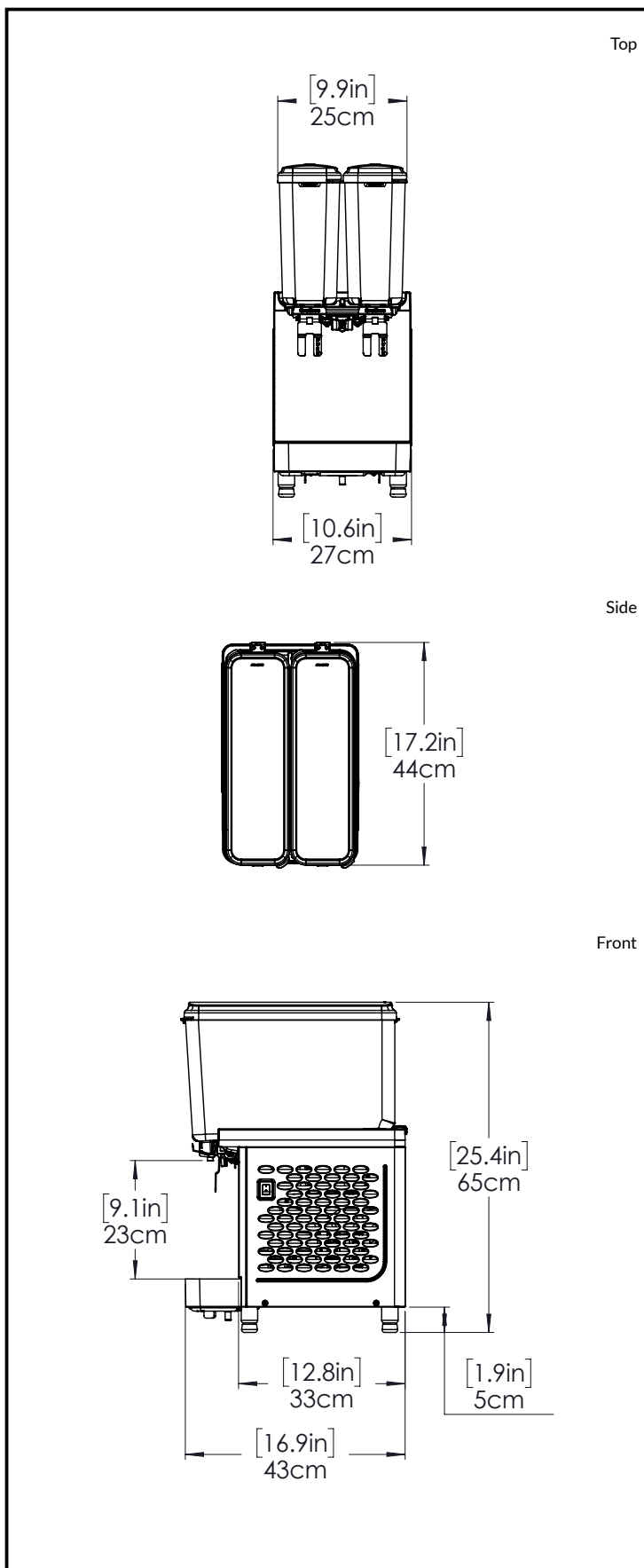
Refrigerant gas: R290

Certifications



The company reserves the right to make modifications to the products without prior notice. All information correct at time of printing.

2025.01.29



CRATHCO

www.crathco.drink-systems.com
infocrathco@electroluxprofessional.com